

# GreenPerform Troffer 3.0

**BG Professional**  
Specification Office  
Jan 17<sup>th</sup>, 2018






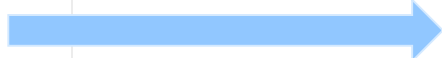







**PHILIPS**

# Contents

- Product Positioning and why this product
- Product Application areas
- Product Features and Benefits
- Product Designation
- Product Specifications
- Product Range and ETO Options
- Product Installation
- Product Photometry
- Product Ordering Information

# Office LED Portfolio

Application: Office, retail, healthcare

	Positioning	Photo	2016~2017	2018	
Statement	<b>PowerBalance</b> The first office norm complied LED solution at 100lm/W,		<b>PowerBalance 3.0</b> - 3100lm/4000lm - 130lm/W - ACW - Modular flexibility		
	<b>SlimBalance</b> Simple and elegant design, provided with all flexibilities		<b>SlimBalance</b> EF: 100m/W OC/NOC Lifetime:50K Sleek design: 70mm width		
Performance	<b>SmartPanel</b> The most comfortable LED office lighting with affordable price		<b>SmartPanel 3.0</b> EF:95m/W UGR 19 available Lifetime:50K Slimmer design		<b>SmartPanel 4.0</b> EF:110m/W UGR 16 available Lifetime:50K S 
	<b>CoreView</b> Indirect LED office lighting for inspiring office		<b>CoreView 2.0</b> EF 80lm/W CRI: 80 Lifetime: 50K		<b>CoreView 3.0</b> EF Typ. 100lm/W CRI: 80 Lifetime: 50K
	<b>Coreline Troffer</b> The most affordable LED specification office lighting		<b>Coreline 2.5</b> EF 105~110lm/W DALI w. ACL Lifetime: 50K		<b>GreenPormance</b> EF110lm/W DALI/POE/InteActoffice Lifetime: 50K
	<b>SmartBright Slim Panel</b> Slim designed full window illumination with excellent cost effectiveness		<b>SmartBright Slim Panel</b> EF 80lm/W 2600lm/3600lm CRI: >80 Lifetime: 25K		
	<b>SmartBright Troffer</b> Price competitive LED office to replace conv.lum		<b>SmartBright Troffer G3</b> EF: 95lm/W Lifetime: 25K Price index vs convlum 1.0		

# Applications



# GreenPerform Troffer – Features & Benefits

Energy saving without compromise



## Features:

- **Compatible with all available Philips systems**
- **Efficacy up to 125lm/W**
- **Slim design** with height less than 46mm
- Improved optical design without **zebra effect**
- **CRI > 80, SDCM<4, Flicker free**
- **UGR 19 available**
- Lifetime **L70 50,000hours**

## Benefits:

- Upgrade to smart office with more options
- Energy saving
- Slim housing
- Comfortable light.
- Good light quality
- Office compliant
- Reliable performance

# GreenPerform Designation

**RC100X LED37S 865 W60L60 PSU UVG OC CAU**



## 1 Installation methods:

RC - Recessed  
SM- Suspended

## 2 Mounting

B: Recessed  
C: Ceiling (surface)  
X: System ready

## 3 System output

27S - 2700lm  
37S - 3700lm

## 4 CCT:

840 – 4000K  
865 – 6500K

## 5 Length

W60L60: 600X600  
W30L120: 300X1200  
W60L120: 600X1200

## 6 Driver/System

PSU - Fixed out  
PSD - Dali driver  
POE – Power over ethernet  
IAR: InterAct office Pro  
IAO: interAct office wireless

## 7 Voltage

UVG – 110-277V

## 8 Office compliance

OC – Office complian UGR<19

## 9 Regional specific

CAU – AU/NZ type w. Flex & plug



# GreenPerform Troffer Product Range

	W60L60	W30L120	W60L120
System lumen	2700/3700lm		5400lm
System Watt	23/32W		44W
System efficacy	117/116lm/W		122lm/W
UGR	OC: UGR<19, NOC		
CCT	4000K		
CRI	≥80		
SDCM	≤4		
Operating temp	25		
IP	20		
Mounting	Recessed, Surface mounted		
Life time	L70 50K Hrs.		
Approbation	CCC, CB,EMC, CE,		

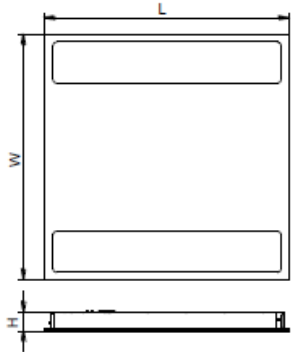
# ETO options

Option		Spec
Housing Color		According to color card
LED	CCT	3000K 3500K 5000K
	SDCM	2SDCM
	Lumen output	600X600: 5000lm 300X1200: 5000lm 600X1200: 10000lm 300X600:3000lm
	CRI	90 (4000K/5000K)
Dimensions	Length	$\geq 1230$
	Width	$\leq 117$
Control options		1-10V
Efficacy		130lm/W



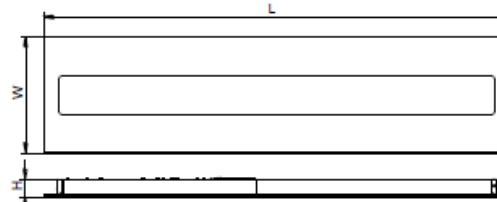
# Product Dimension

RC100 W60L60:



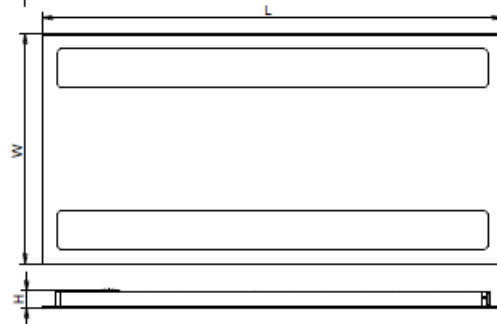
LxWxH(cm):59.7x119.7x4.6

RC100 W30L120:



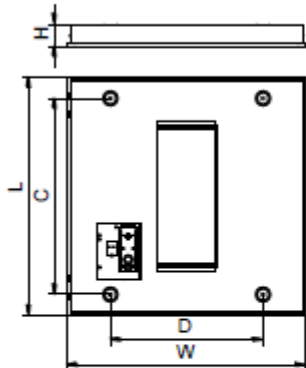
LxWxH(cm):119.7x29.7x4.6

RC100 W60L120:



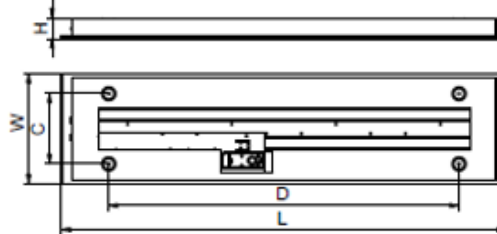
LxWxH(cm):119.7x59.7x4.6

SM100C W60L60



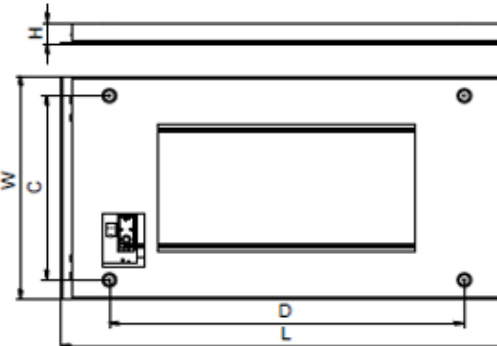
LxWxHxCxD (cm):  
59.7x59.7x5.6x49.2x38.2

SM100C W30L120



LxWxHxCxD (cm):  
119.7x29.7x5.6x19x94.3

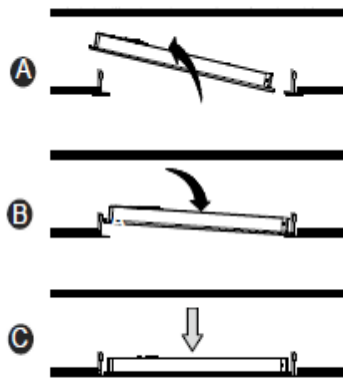
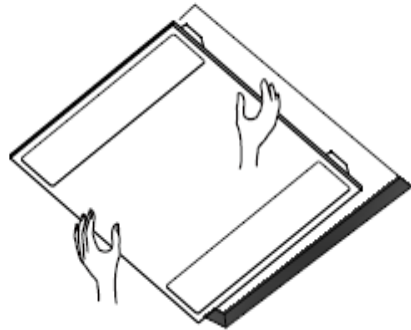
SM100C W60L120



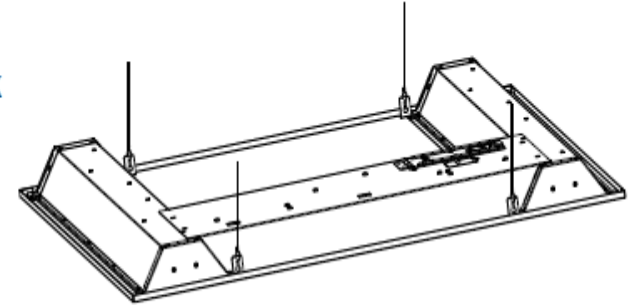
LxWxHxCxD (cm):  
119.7x59.7x5.6x19x94.3

# Product Installation – Recessed version

## 嵌入安装 Recessed Mounting

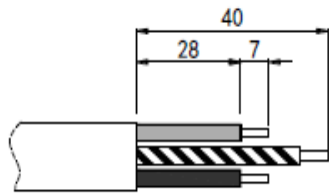


## 安装安全链 Safety Chain Via Hook

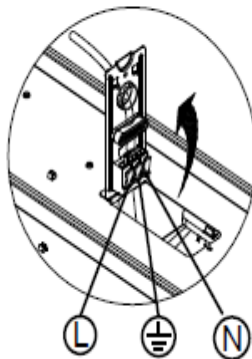


本产品不含安全吊链, 客户需单独购买。  
Safety chain is not included. Customers need to buy separately.

## Supply Connection / 连接电源线



$3 \times 0.75-1.0\text{mm}^2$

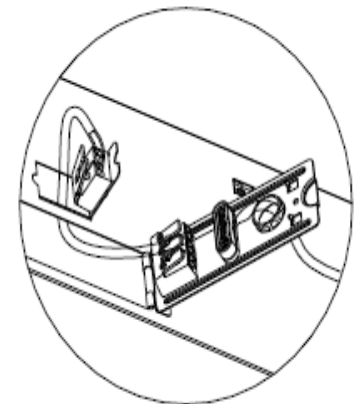
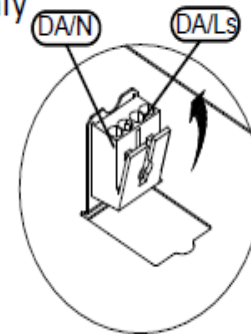


## Connect DALI cable / DALI调光接线方式

For PSD/Coded light series only  
此功能仅用于PSD/CL系列

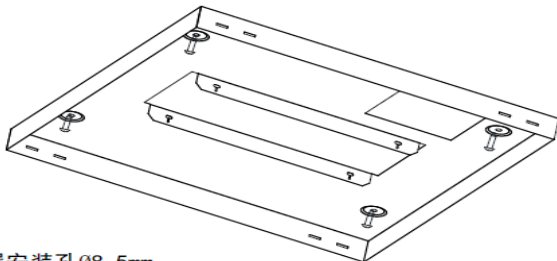


$2 \times 0.5\text{mm}^2$



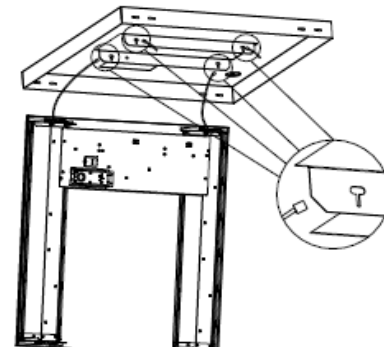
# Product Installation – Surface mounted

**1** 固定吸顶罩  
Fixed the Ceiling Bractet

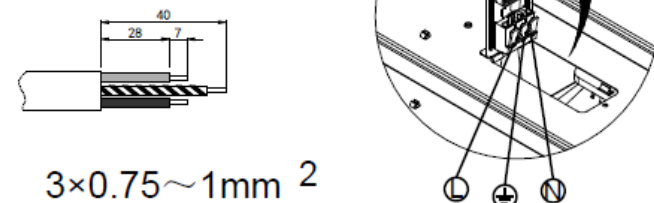


吸顶罩安装孔Ø8.5mm  
The hole of the Ceiling Bractet Ø8.5mm

**2** 固定安全链  
Fixed the Safety Chain

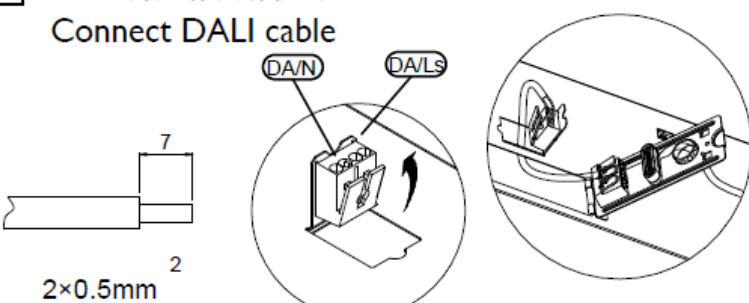


**3** 连接电源线  
Connect Entry cable



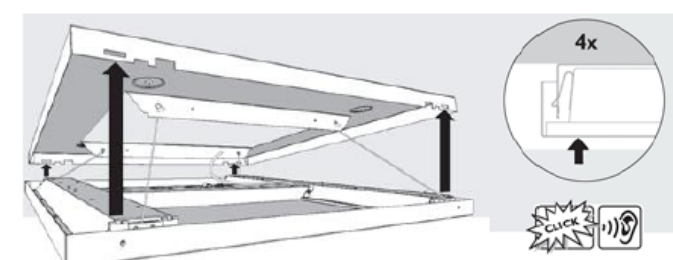
$3 \times 0.75 \sim 1\text{mm}^2$

**4** DALI调光接线方式  
Connect DALI cable



2x0.5mm<sup>2</sup>

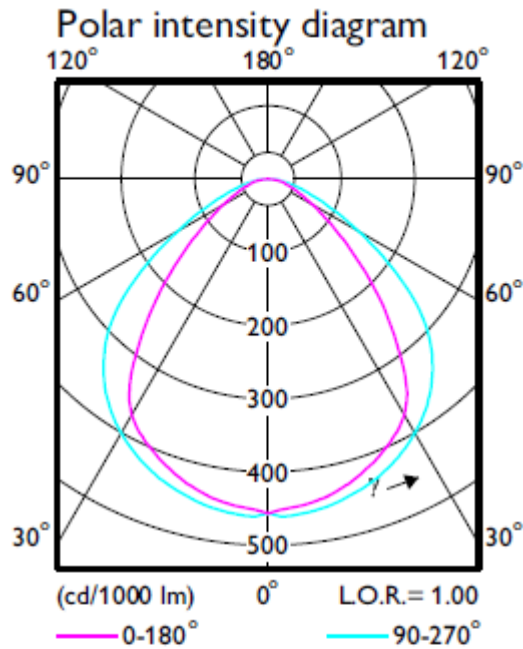
**5** 固定灯具  
Fixed the luminaire



4x

# Product Photometry

Non-office compliant



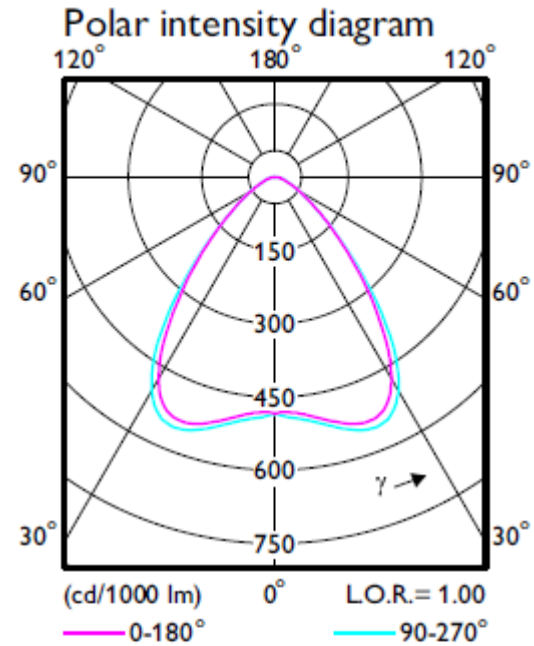
Light output ratio	1.00
Service upward	0.00
Service downward	1.00

CIE flux code 60 89 98 100 100

S/H ratio	crosswise	max. 1.4
	lengthwise	max. 1.5

UGRcen (4Hx8H, 0.25H) 23

Office compliant,



Light output ratio	1.00
Service upward	0.00
Service downward	1.00

CIE flux code 72 94 99 100 100

S/H ratio	crosswise	max. 1.3
	lengthwise	max. 1.4

UGRcen (4Hx8H, 0.25H) 19

# Product ordering information

12NC	Description	Lumen	CCT	Driver	Dimen.*	Mounting
911401508451	RC100B LED27S 840 W60L60 PSU G3	2700	4000K	PLS 23W 0.19A 123V 220-240V	59.7x59.7x4.6	Recessed
911401508651	RC100B LED27S 865 W60L60 PSU G3	2700	6500K	PLS 23W 0.19A 123V 220-240V	59.7x59.7x4.6	Recessed
911401508351	RC100B LED27S 840 W60L60 PSU OC G3	2880	4000K	PLS 23W 0.19A 123V 220-240V	59.7x59.7x4.6	Recessed
911401510751	RC100B LED37S 840 W60L60 PSU G3	3700	4000K	PLS 32W 0.26A 123V 220-240V	59.7x59.7x4.6	Recessed
911401510951	RC100B LED37S 865 W60L60 PSU G3	3700	6500K	PLS 32W 0.26A 123V 220-240V	59.7x59.7x4.6	Recessed
911401511151	RC100B LED37S 840 W60L60 PSD G3	3700	4000K	Xitanium_60W_0.08-0.35A_300V_TD16_230V	59.7x59.7x4.6	Recessed
911401510551	RC100B LED37S 865 W60L60 PSD G3	3700	6500K	Xitanium_60W_0.08-0.35A_300V_TD16_230V	59.7x59.7x4.6	Recessed
911401510851	RC100B LED37S 840 W60L60 PSD OC G3	3880	4000K	Xitanium_60W_0.08-0.35A_300V_TD16_230V	59.7x59.7x4.6	Recessed
911401511051	RC100X LED37S 840 W60L60 SW G3	3700	4000K	Xitanium 60W 0.08-0.35A 300V SR 230V	59.7x59.7x4.6	Recessed
911401511251	RC100X LED37S 840 W60L60 IAO G3	3700	4000K	Xitanium 60W 0.08-0.35A 300V SR 230V	59.7x59.7x4.6	Recessed
911401510651	RC100X LED37S 865 W60L60 IAO G3	3700	6500K	Xitanium 60W 0.08-0.35A 300V SR 230V	59.7x59.7x4.6	Recessed
911401568841	RC100X LED37S 840 W60L60 IAR G3	3700	4000K	Xitanium 54W 0.24-0.3A 180V WZ 230V	59.7x59.7x4.6	Recessed
911401508851	RC100X LED37S 840 W60L60 POE SL G3	3700	4000K	POE LC 45W 0.65-1.40A 38V	59.7x59.7x4.6	Recessed
911401511651	RC100X LED37S 865 W60L60 POE SL G3	3700	6500K	POE LC 45W 0.65-1.40A 38V	59.7x59.7x4.6	Recessed
911401511551	RC100X LED37S 840 W60L60 POE MA G3	3700	4000K	POE LC 45W 0.65-1.40A 38V	59.7x59.7x4.6	Recessed
911401508551	RC100B LED27S 840 W60L60 PSU OC CAU	2880	4000K	PLS 23W 0.19A 123V 220-240V	59.7x59.7x4.6	Recessed
911401509451	RC100B LED37S 840 W60L60 PSU OC CAU	3880	4000K	PLS 32W 0.26A 123V 220-240V	59.7x59.7x4.6	Recessed
911401508951	RC100B LED37S 840 W60L60 PSD OC CAU	3880	4000K	Xitanium_60W_0.08-0.35A_300V_TD16_230V	59.7x59.7x4.6	Recessed
911401509151	RC100X LED37S 840 W60L60 IAO OC CAU	3880	4000K	Xitanium 60W 0.08-0.35A 300V SR 230V	59.7x59.7x4.6	Recessed
911401568641	RC100X LED37S 840 W60L60 IAR OC CAU G3	3880	4000K	Xitanium 54W 0.24-0.3A 180V WZ 230V	59.7x59.7x4.6	Recessed
911401511351	RC100X LED37S 840 W60L60 POE OC CAU SL	3880	4000K	POE LC 45W 0.65-1.40A 38V	59.7x59.7x4.6	Recessed
911401508751	RC100X LED37S 840 W60L60 POE OC CAU MA	3880	4000K	POE LC 45W 0.65-1.40A 38V	59.7x59.7x4.6	Recessed

# Product ordering information

12NC	Description	Lumen	CCT	Driver	Dimen.*	Mounting
911401513351	RC100B LED37S 840 W30L120 PSU G3	3700	4000K	PLS 32W 0.26A 123V 220-240V	119.7x29.7x4.6	Recessed
911401513251	RC100B LED37S 840 W30L120 PSD G3	3700	4000K	Xitanium_60W_0.08-0.35A_300V_TD16_230V	119.7x29.7x4.6	Recessed
911401513051	RC100B LED37S 840 W30L120 PSD OC G3	3880	4000K	Xitanium_60W_0.08-0.35A_300V_TD16_230V	119.7x29.7x4.6	Recessed
911401512951	RC100X LED37S 840 W30L120 IAO G3	3700	4000K	Xitanium 60W 0.08-0.35A 300V SR 230V	119.7x29.7x4.6	Recessed
911401513151	RC100X LED37S 840 W30L120 POE SL G3	3700	4000K	POE LC 45W 0.65-1.40A 38V	119.7x29.7x4.6	Recessed
911401513451	RC100X LED37S 840 W30L120 POE MA G3	3700	4000K	POE LC 45W 0.65-1.40A 38V	119.7x29.7x4.6	Recessed
911401513651	RC100X LED37S 840 W30L120 IAO OC CAU	3880	4000K	Xitanium 60W 0.08-0.35A 300V SR 230V	119.7x29.7x4.6	Recessed
911401568741	RC100X LED37S 840 W30L120 IAR OC CAU G3	3880	4000K	Xitanium 54W 0.24-0.3A 180V WZ 230V	119.7x29.7x4.6	Recessed
911401513551	RC100X LED37S 840 W30L120 POE OC CAU SL	3880	4000K	POE LC 45W 0.65-1.40A 38V	119.7x29.7x4.6	Recessed
911401514151	RC100X LED37S 840 W30L120 POE OC CAU MA	3880	4000K	POE LC 45W 0.65-1.40A 38V	119.7x29.7x4.6	Recessed
911401514351	RC100B LED54S 840 W60L120 PSU G3	5400	4000K	Xitanium 60W 0.08-0.35A 300V S 230V	119.7x59.7x4.6	Recessed
911401514251	RC100B LED37S 840 W60L120 PSU OC CAU	3880	4000K	Xitanium_60W_0.08-0.35A_300V_TD16_230V	119.7x59.7x4.6	Recessed
911401514051	RC100B LED37S 840 W60L120 PSD OC CAU	3880	4000K	Xitanium_60W_0.08-0.35A_300V_TD16_230V	119.7x59.7x4.6	Recessed
911401509951	SM100C LED27S 840 W60L60 PSU G3	2700	4000K	PLS 23W 0.19A 123V 220-240V	59.7x59.7x5.6	Surface
911401509851	SM100C LED27S 865 W60L60 PSU G3	2700	6500K	PLS 23W 0.19A 123V 220-240V	59.7x59.7x5.6	Surface
911401510151	SM100C LED37S 840 W60L60 PSU G3	3700	4000K	PLS 32W 0.26A 123V 220-240V	59.7x59.7x5.6	Surface
911401510351	SM100C LED37S 865 W60L60 PSU G3	3700	6500K	PLS 32W 0.26A 123V 220-240V	59.7x59.7x5.6	Surface
911401509651	SM100C LED37S 840 W60L60 PSD G3	3700	4000K	Xitanium_60W_0.08-0.35A_300V_TD16_230V	59.7x59.7x5.6	Surface
911401519451	SM100C LED37S 840 W30L120 PSU G3	3700	4000K	PLS 32W 0.26A 123V 220-240V	119.7x29.7x5.6	Surface
911401519551	SM100C LED37S 840 W30L120 PSD G3	3700	4000K	Xitanium_60W_0.08-0.35A_300V_TD16_230V	119.7x29.7x5.6	Surface
911401519651	SM100C LED54S 840 W60L120 PSU G3	5400	4000K	Xitanium 60W 0.08-0.35A 300V S 230V	119.7x59.7x5.6	Surface
911401519751	SM100C LED54S 840 W60L120 PSD G3	5400	4000K	Xitanium_60W_0.08-0.35A_300V_TD16_230V	119.7x59.7x5.6	Surface

