



UNIdot

BGS302 42xLED-HB-3000 24V D140

LED - Electronic transformer - Polycarbonate bowl/cover frosted - -

The right façade lighting enhances the ambiance of any space and sparks imagination. Philips UNIdot is just one of the latest innovations in LED lighting that lets you create that perfect atmosphere both for the outdoor and the indoor.;Dreamy starry nights, and captivating urban landscapes are all made possible with the smart Philips UNIdot LED lighting system. Flexible and modular, UNIdot lights can be affixed on any challenging façade, fulfilling the most creative lighting design brief.;Available in dimmable color options, with light intensity that is easy to adjust, this makes a great replacement for conventional solutions in terms of performance, versatility, light quality and energy savings.

Product data

General Information		Controls and Dimming	
Light source color	Warm white	RoHS mark	RoHS mark
Number of gear units	1 unit	Light source engine type	LED
Driver/power unit/transformer	Electronic transformer	Dimmable	No
Driver included	No	Mechanical and Housing	
Optical cover/lens type	Polycarbonate bowl/cover frosted	Housing Material	Aluminum die-cast
Control interface	-	Optic material	Polycarbonate
Connection	Flying leads/wires	Optical cover/lens material	Polycarbonate
Cable	Cable 0.3 m without plug	Fixation material	Stainless steel
Protection class IEC	Safety class III	Optical cover/lens shape	Hemispherical flat
Flammability mark	For mounting on normally flammable surfaces	Optical cover/lens finish	Frosted
CE mark	CE mark	Overall height	51 mm
ENEC mark	-		
Warranty period	3 years		
Constant light output	No		

Overall diameter	140 mm
------------------	--------

Approval and Application

Mech. impact protection code	IK07 [2 J reinforced]
------------------------------	------------------------

Initial Performance (IEC Compliant)

Initial luminous flux (system flux)	466 lm
Initial LED luminaire efficacy	69 lm/W
Init. Corr. Color Temperature	3000 K
Init. Color Rendering Index	70
Initial input power	6.8 W
Power consumption tolerance	+/-10%

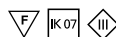
Application Conditions

Ambient temperature range	-20 to +50 °C
---------------------------	---------------

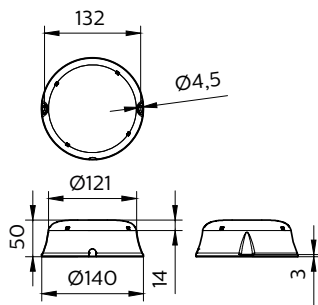
Maximum dim level	Not applicable
-------------------	----------------

Product Data

Full product code	099
Order product name	BGS302 42xLED-HB-3000 24V D140
Order code	911401612603
Numerator - Quantity Per Pack	1
Numerator - Packs per outer box	27
Material Nr. (12NC)	911401612603
Net Weight (Piece)	0.420 kg



Dimensional drawing



UNI Dot BGS301/302

