



Essential Smartbright Bulkhead

WT045C

SR (Upstream Codes ready, July 20th)

Saurabh Sinha, 23rd July 2019

Essential Smartbright Bulkhead WT045C

Safe and Reliable



Unique selling point

- **Reliable Quality:** 20K hour with 70% Lumen maintained. Wide range working temperature -30C to +35C. 1 Year warranty
- **Robust design:** IP65 Dust and Waterproof, IK06
- **Easy Installation:** Comes with mounting accessories

Essential Smartbright Bulkhead WT045C

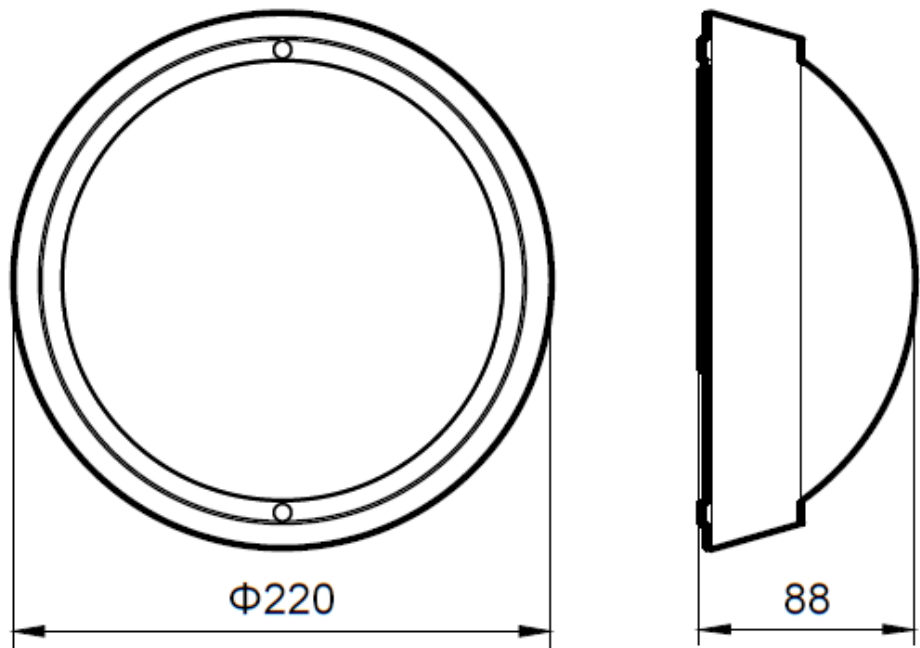
Technical Specs

Types	WT045C LED20	WT045C LED12
Lumen Output	1600 Lm (\pm 5%)	960 Lm (\pm 5%)
System Power	20W	12W
System efficacy	80 lm/W	
CCT	NW (4000K)	
CRI	\geq 70	
Color consistency	<6 SDCM	
IP/IK rating	IP65/ IK06	
Beam Angle	100~120D	
Classification	Class II	
Operation Temperature	-30°C to 35°C, ta 25°C	
Lifetime (hrs)	20k hrs @ L70 B50 @Ta 25C, 1 YEAR Warranty	
Surge protection	0.5kv/1kv (L-N/L, N- GND)	
Input Voltage	220-240V, 50/60 Hz	
Power factor	\geq 0.5	
Body Color	RAL 7031	
Power Connection	terminal block PA10	
Housing material	Polypropolene, LG: PC, Diffuser: PC	
Packaging	Individual Color Box, 20 Pcs in one Carton Box	Individual Color Box, 24 Pcs in one Carton Box
Mounting / Installation	Wall Mounting	
Dimensions (LxWxH)	Φ 220 X 88mm	Φ 170 X 76mm
Weight	0.280 KG	0.178 KG
Mounting Accessories	2PCS Screw +2PCS Expansion tube	
Certificate	CCC/CB/EMC/CE	

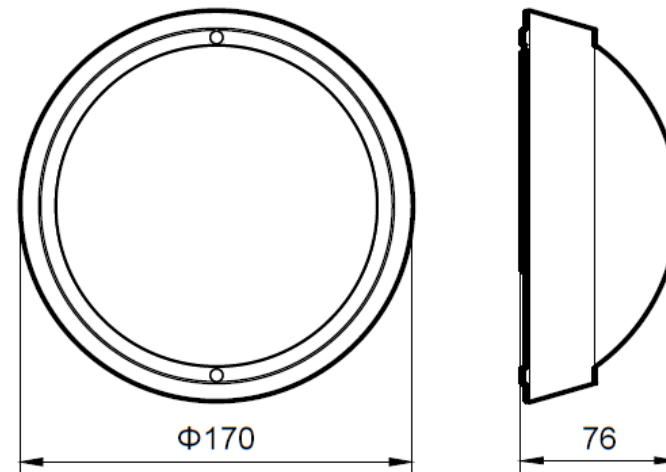
Internal use only

Essential Smartbright Bulkhead WT045C

Dimensions



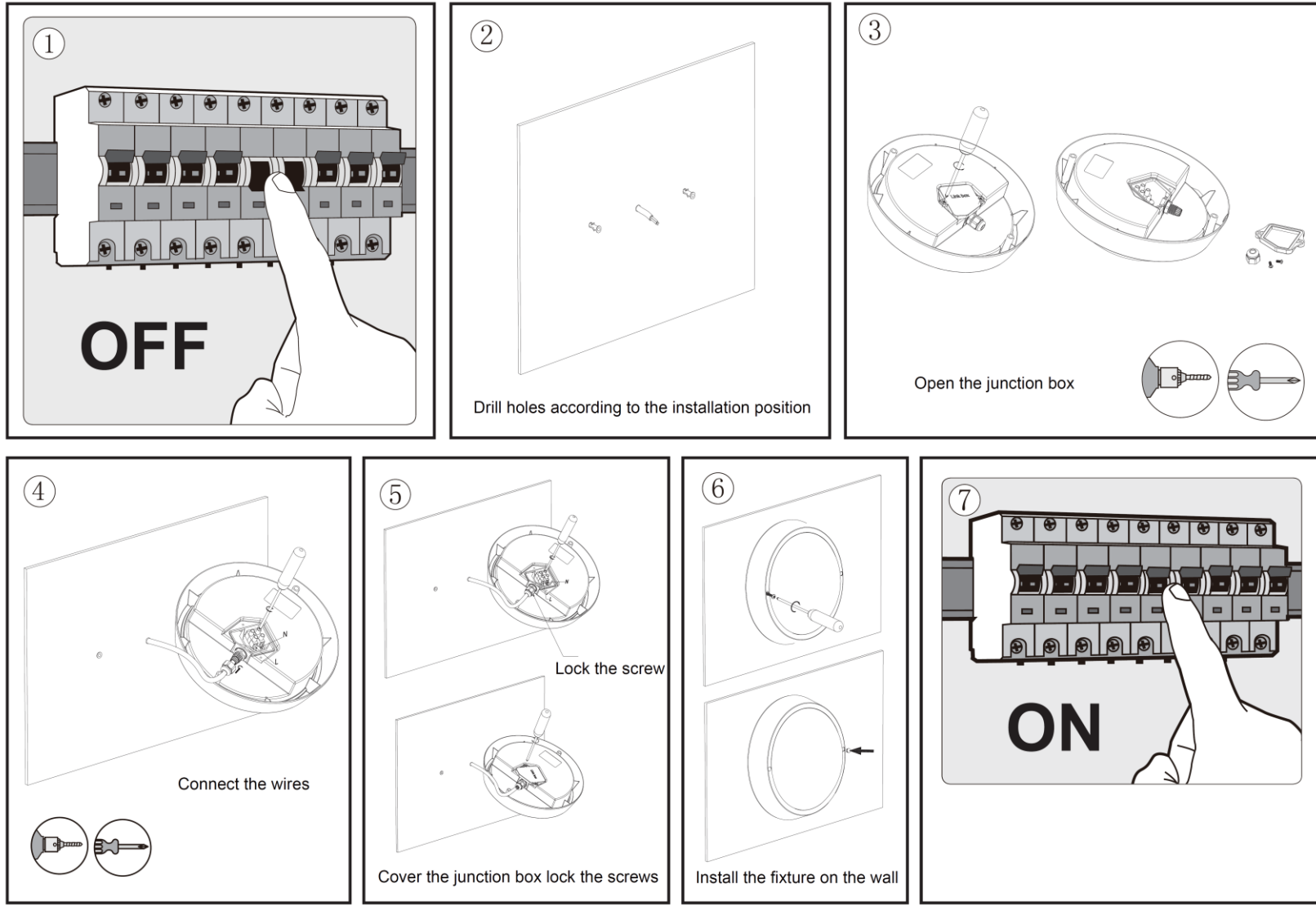
20W



12W

Essential Smartbright Bulkhead WT045C

Installation



Accessories Included

Internal use only

Essential Smartbright Bulkhead WT045C

Ordering Information & AFSP GM

12NC	AG	CAG	EOC	ProductDescription	ConsumerUnit(EAN)	Outerbox(EAN)	CatalogFamily	GeneralComments
911401735862	3248	324813	871016333530899	WT045C LED20/NW PSU CFW L1665	8710163335308	8710163335346	Global Trade Bulkhead	B2713
911401735842	3248	324813	871016333528599	WT045C LED12/NW PSU CFW L1065	8710163335285	8710163335322	Global Trade Bulkhead	B2713

MOQ: 240 Pcs/12NC

Signify