



**Smartbright Waterproof G3**

**WT068C**

**PPC Document**



# Smartbright waterproof G3 (WT068C)



WT066C



FW/TB -> Quick Connector

IP65 -> IP66

90 Lm/Watt -> 110 Lm /Watt



# WT068C

DOB WP (Color: Light Gray) Diffuser White

## dimension/mm :

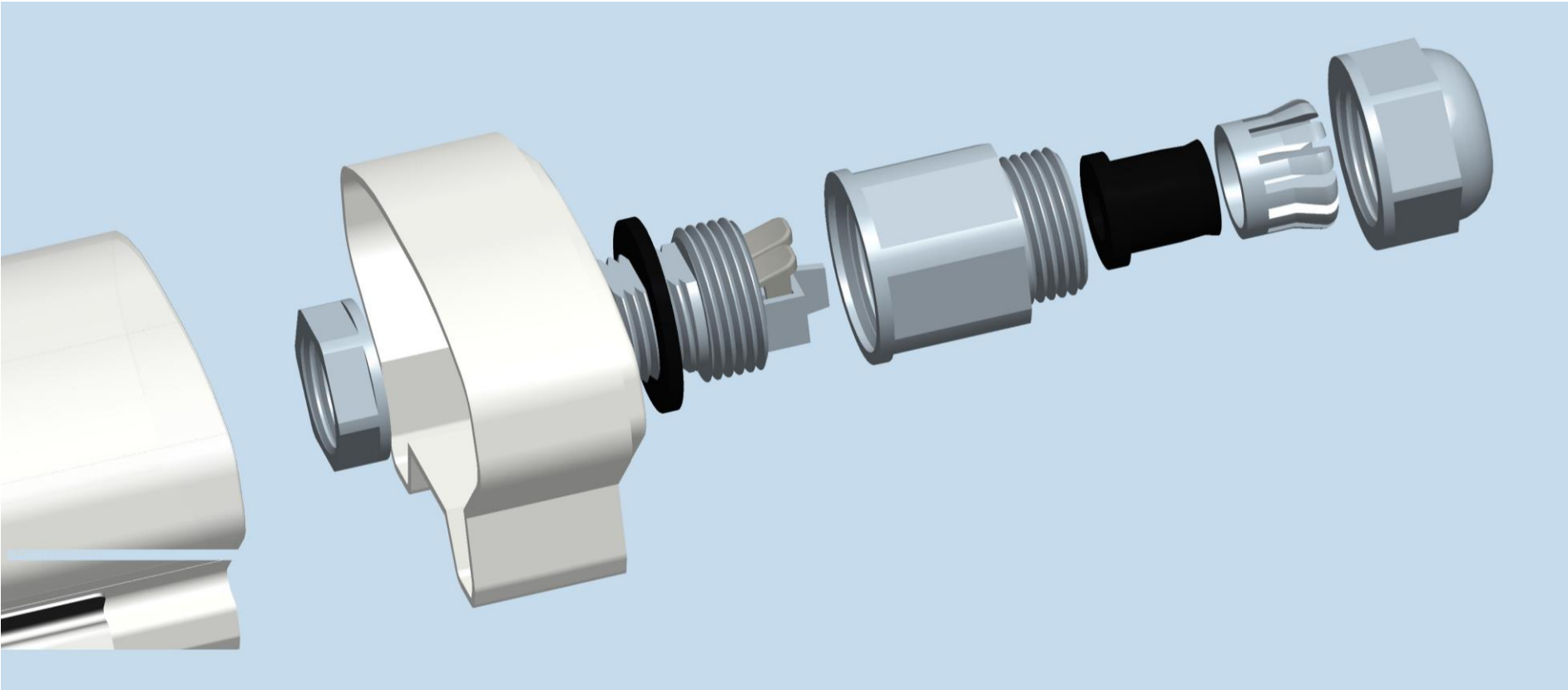
L600: 590×68.5×42.5

L1200: 1180×68.5×42.5

L1500: 1480×68.5×42.5



# Toolless Quick connector



# Smartbright waterproof G3 (WT068C) Spec Sheet

|                       |                            |                          |
|-----------------------|----------------------------|--------------------------|
| <b>1. Lighting</b>    | Lumen output (2ft/4ft/5ft) | 1800 / 3600 / 5600 lm    |
|                       | CRI                        | CRI > 80                 |
|                       | CCT                        | 4000k / 6500k            |
|                       | SDCM                       | <5                       |
| <b>2. Electronics</b> | Driver                     | DOB                      |
|                       | Safety Class               | Class II                 |
|                       | Power Factor               | 0.9                      |
|                       | System Efficacy            | 110 lm/w                 |
|                       | Ripple (filcker)           | NA                       |
| <b>3. Mechanics</b>   | Housing / cover material   | PC (no bending) / PC     |
|                       | IP / IK                    | IP66 / IK06              |
|                       | Glow wire rating           | 650°C                    |
|                       | Fire-rated                 | V2                       |
|                       | Power connection           | Toolless quick connector |
|                       | Loop in capacity           | As per design            |
|                       | Packaging                  | Brown box                |
| <b>4. Thermal</b>     | Operating temp             | -20C to +45C             |
| <b>5. Reliability</b> | Lifetime                   | 30K hrs , L70B50@25°C    |
|                       | Warranty                   | 3 Years                  |
| <b>7. Approbation</b> | Approbation                | CB, CE, CCC              |
|                       | Ta                         | Ta25°C                   |
| <b>8. Others</b>      | RoHS/REACH                 | Y                        |

Signify