

# PHILIPS LEDINAIRE Downlight DN060B



# LEDINAIRE Downlight DN060B



Basic portfolio for trade sales

## Claim: *LEDINAIRE Simply great LED*

The LEDINAIRE range contains a selection of popular off-the-shelf LED luminaires that comes with the high Philips quality levels at a competitive price. Reliable, energy efficient and affordable – just what you need.



## Reason to believe:

- Comparable cost price with Asian b/c brands but then with Philips quality

## Range & specifications

- 2 sizes
- 800lm & 1800lm
- 3000K & 4000K
- 30,000 L70B50 – 3 year warranty
- Non - Dimmable
- 4 codes (made to stock)

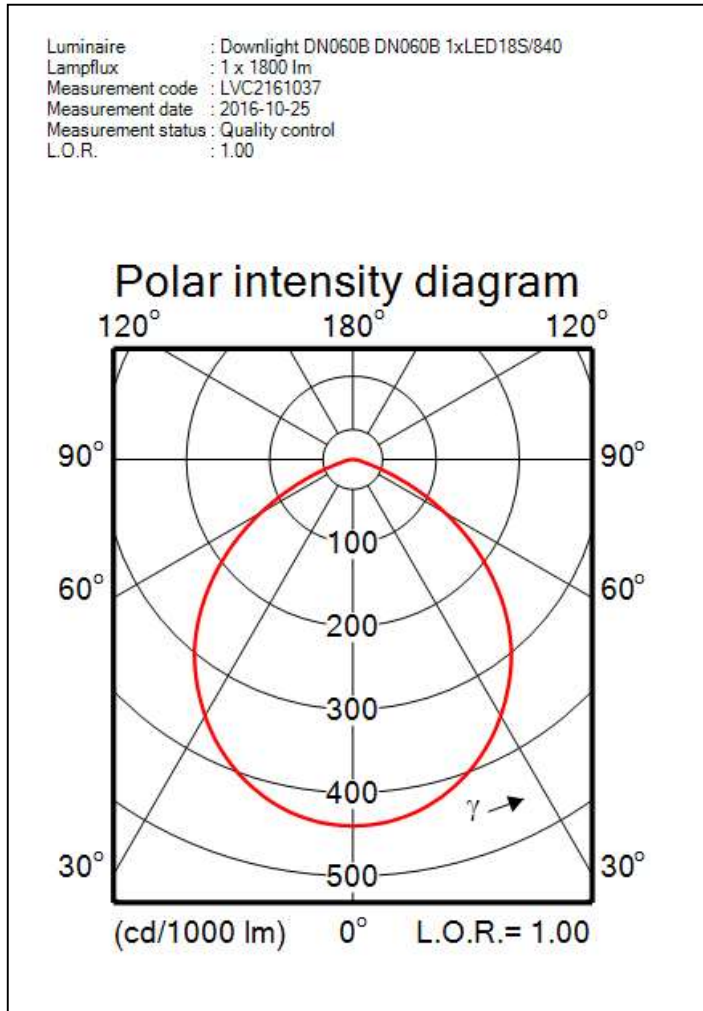
# Main Specifications

Product Family Code	DN010 Downlight (gen1) - OLD	Downlight DN060B - NEW
		
Luminaire type	Recessed Downlight	Recessed Downlight
Product finishes	Painted White (RAL9016)	Painted White (RAL9016)
Version	Fixed PMMA housing	<b>Fixed Metal reflector + plastic back cover</b>
Flux system	1000lm / 2000lm	<b>800lm / 1800lm</b>
Candelas	n.a.	n.a.
Light source	Non-replaceable LED module	Non-replaceable LED module
Light color	3000K / 4000K (CRI 82)	3000K / 4000K (CRI 80)
Beam angle	n.a.	n.a.
Optics	n.a.	n.a.
Tilt angle	n.a.	n.a.
Power consumption	15W / 24W	<b>9W / 18W</b>
System efficacy	67lm/W / 83lm/W	<b>85 lm/W</b>
Driver	Non-Dimmable internal driver (PSU)	Non-Dimmable internal driver (PSU)
Dimmable	No	No
Mains Voltage	220 – 240 V / 50-60 Hz	220 – 240 V / 50-60 Hz
Luminaire height	116mm / 124mm	<b>~100mm / ~120mm</b>
Cut-out	150-155mm / 201-205mm	150-155mm / 201-205mm
IP classification	IP20	IP20
Connection	3 phase push-in connector	<b>2 phase screw-in connector with parking spot for PE (Class I)</b>
Lifetime	25khrs (L70/B50@25D)	<b>30khrs (L70/B50@25D)</b>
Warranty	1 Years	<b>3 Years (@4000hrs / year usage)</b>



New Specification

# Photometrical data



Final available on product pedia

Luminaire : Downlight DN060B DN060B 1xLED18S/840  
 Lampflux : 1 x 1800 lm  
 Measurement code : LVC2161037  
 Measurement date : 2016-10-25  
 Measurement status : Quality control  
 L.O.R. : 1.00

## Unified Glare Rating table

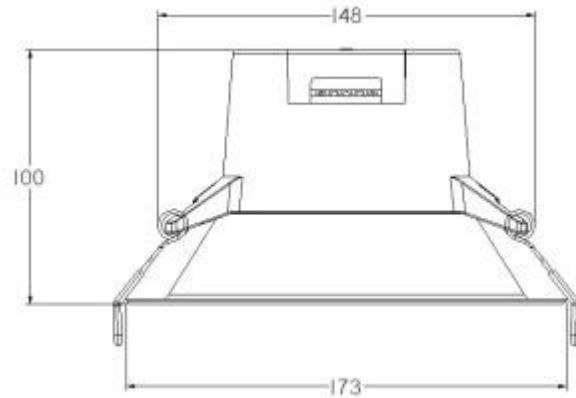
Corrected UGR values										(per 1 x 1800 lm)				
Reflectances:														
Ceiling	0.70	0.70	0.50	0.50	0.30	0.70	0.70	0.50	0.50	0.30	0.50	0.30	0.30	0.30
Wall	0.50	0.30	0.50	0.30	0.30	0.50	0.30	0.50	0.30	0.30	0.50	0.30	0.30	0.30
Floor cavity	0.20	0.20	0.20	0.20	0.20	0.20	0.20	0.20	0.20	0.20	0.20	0.20	0.20	0.20
Room dimensions:		Viewed crosswise					Viewed endwise							
X	Y													
2H	2H	22.8	24.0	23.0	24.2	24.4	22.8	24.0	23.0	24.2	24.4			
	3H	23.2	24.4	23.5	24.6	24.8	23.2	24.4	23.5	24.6	24.8			
	4H	23.2	24.3	23.5	24.6	24.8	23.2	24.3	23.5	24.6	24.8			
	6H	23.2	24.2	23.5	24.5	24.7	23.2	24.2	23.5	24.5	24.7			
	8H	23.2	24.1	23.5	24.4	24.7	23.2	24.1	23.5	24.4	24.7			
	12H	23.1	24.0	23.5	24.3	24.6	23.1	24.0	23.5	24.3	24.6			
3H	2H	23.0	24.2	23.3	24.4	24.6	23.0	24.2	23.3	24.4	24.6			
	3H	23.5	24.5	23.9	24.8	25.1	23.5	24.5	23.9	24.8	25.1			
	4H	23.6	24.5	23.9	24.8	25.1	23.6	24.5	23.9	24.8	25.1			
	6H	23.5	24.4	23.9	24.7	25.0	23.5	24.4	23.9	24.7	25.0			
	8H	23.5	24.3	23.9	24.6	25.0	23.5	24.3	23.9	24.6	25.0			
	12H	23.5	24.2	23.9	24.6	24.9	23.5	24.2	23.9	24.6	24.9			
4H	2H	23.1	24.2	23.4	24.4	24.7	23.1	24.2	23.4	24.4	24.7			
	3H	23.6	24.5	23.9	24.8	25.1	23.6	24.5	23.9	24.8	25.1			
	4H	23.6	24.5	24.0	24.8	25.1	23.6	24.5	24.0	24.8	25.1			
	6H	23.6	24.3	24.0	24.7	25.0	23.6	24.3	24.0	24.7	25.0			
	8H	23.6	24.3	24.0	24.6	25.0	23.6	24.3	24.0	24.6	25.0			
	12H	23.6	24.2	24.0	24.6	25.0	23.6	24.2	24.0	24.6	25.0			
6H	2H	23.0	24.0	23.3	24.3	24.6	23.0	24.0	23.3	24.3	24.6			
	3H	23.6	24.4	23.9	24.7	25.0	23.6	24.4	23.9	24.7	25.0			
	4H	23.6	24.3	24.0	24.7	25.0	23.6	24.3	24.0	24.7	25.0			
	6H	23.6	24.2	24.0	24.6	25.0	23.6	24.2	24.0	24.6	25.0			
	8H	23.6	24.1	24.1	24.5	25.0	23.6	24.1	24.1	24.5	25.0			
	12H	23.6	24.1	24.1	24.5	24.9	23.6	24.1	24.1	24.5	24.9			
8H	2H	23.0	23.9	23.3	24.2	24.5	23.0	23.9	23.3	24.2	24.5			
	3H	23.5	24.3	23.9	24.6	25.0	23.5	24.3	23.9	24.6	25.0			
	4H	23.6	24.2	24.0	24.6	25.0	23.6	24.2	24.0	24.6	25.0			
	6H	23.6	24.1	24.0	24.5	25.0	23.6	24.1	24.0	24.5	25.0			
	8H	23.6	24.1	24.1	24.5	24.9	23.6	24.1	24.1	24.5	24.9			
	12H	23.6	24.0	24.1	24.4	24.9	23.6	24.0	24.1	24.4	24.9			
12H	2H	22.9	23.9	23.3	24.1	24.4	22.9	23.9	23.3	24.1	24.4			
	3H	23.5	24.2	23.9	24.5	24.9	23.5	24.2	23.9	24.5	24.9			
	4H	23.5	24.1	24.0	24.5	24.9	23.5	24.1	24.0	24.5	24.9			
	6H	23.6	24.0	24.0	24.5	24.9	23.6	24.0	24.0	24.5	24.9			
	8H	23.6	24.0	24.1	24.4	24.9	23.6	24.0	24.1	24.4	24.9			
	12H	23.6	23.9	24.1	24.4	24.9	23.6	23.9	24.1	24.4	24.9			

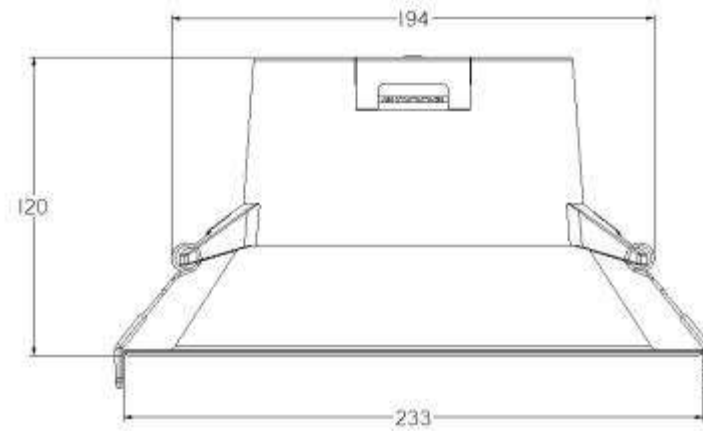
Spacing	Variations with observer position			
1H	+0.3/	-0.4	+0.3/	-0.4
1.5H	+0.7/	-1.3	+0.7/	-1.3
2H	+1.6/	-2.8	+1.6/	-2.8

UGRoen (4Hx8H, 0.25H): 23.6

# Dimensional drawings



LED8S



LED18S

# Product pictures



# Product design

