

Essential SmartBright G3 DN029B LED Downlight



Essential SmartBright DN029B



Applications



Retail



Office



General

Features and Benefits

Total 3 solutions offered (DN029B-1 trailing/Leading edge dim; DN029B-2 Colour temperature selector; DN029B-3 step dim)

- A complete family offer to customer

Trailing / Leading Edge dimmer

- To deliver higher energy saving without compromising the light quality

3 Colour Temperatures Selector

- Flexible to suit your style

Step dimming included (100%, 40%, 10%)

- Enjoy the flexibility of a dimmable fitting without paying more

Min. 80lm/w System Efficacy

- To replace conventional downlights perfectly

25K (ta=25C L70) hours life time with 3 years warranty and IC-4 rating

- Perfect hassle free solution

Additional silver trim included(DN029B-2 only)

- To fit different application environment

Essential SmartBright DN029B Overview

1.2m flex and plug

Housing material: Polybutylece Terephthalate (PBT)

Diffuser: PC

CCT selector (for DN029B-2 only)

Additional silver trim (for DN029B-2 only)



Essential SmartBright DN029B Product Description

DN029B-1 LED8/WW PSR-E D90 CAU

① ② ③ ④ ⑤ ⑥

① 1=Trailing/Leading edge dim; 2=CCT selector; 3=Step dim

② 8=800lm

③ WW=3000K; NW=4000K; CCT=3000/4300/6500K

④ PSR-E=Trailing/Leading edge dim; SD=Step Dim

⑤ D90=90mm cut out

⑥ CAU= cable for Australia

Essential SmartBright DN029B-1 Trailing / Leading Edge Dim-Data Sheet



Model	Essential SmartBright Downlight 3 (DN029-1B)
Type	LED8
Equivalent of	50W halogen
Power	10W
System lumen	800lm
Power factor	0.8
Type	Trailing/ leading edge dimmable
Electrical Class	Class II
Input Voltage	220V-240V, 50/60Hz
CCT	3000K (WW) and 4000K (NW)
CRI	>80
Beam Angle	105°
Operating Temperature	25°C (-20°C < ta < 40°C)
Lifetime (L70)*	25,000 hours
IP rating	IP44 (front)/IP20
Insulation rating	IC-4
Mounting Type	Recessed
Housing colour	RAL9003
Cable	1.2m pre-wired AU flex & plug
Material	Diffuser: Polycarbonate (PC) Housing: Polybutylece Terephthalate (PBT)
Application	Residential, general lighting areas, corridors, retail

Brand	Model	Max. fitting per dimmer	Recommended dimming range
Clipsal	32E450UDM	8	10%-100%
Clipsal	32ELEDM	8	10%-100%
Legrand	Cat 400T	8	10%-100%
SAL	SDA450	8	10%-100%
Diginet	MEDM	8	10%-100%

Recommended dimmer list

Essential SmartBright DN029B-2 3000/4300/6500K CCT Selector - Datasheet



Brand	Model	Max. fitting per dimmer	Recommended dimming range
Clipsal	32E450UDM	8	10%-100%
Clipsal	32ELEDM	8	10%-100%
Legrand	Cat 400T	8	10%-100%
SAL	SDA450	8	10%-100%
Diginet	MEDM	8	10%-100%

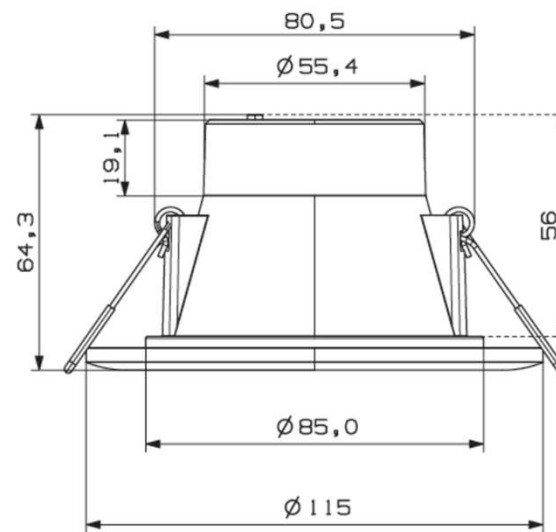
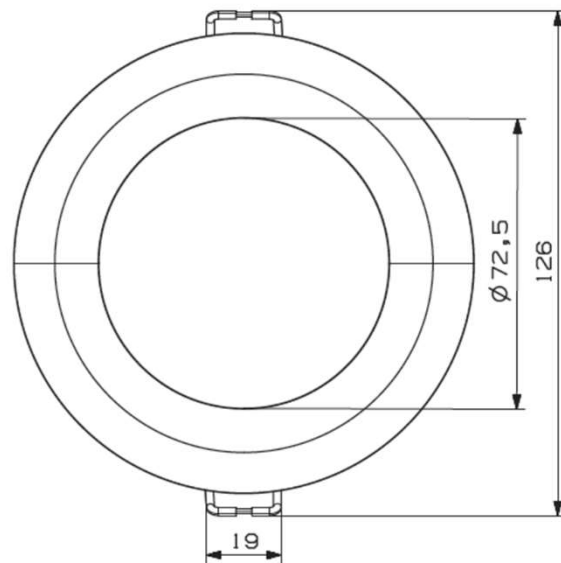
Model	Essential SmartBright Downlight 3 (DN029-2B)
Type	LED8
Equivalent of	50W halogen
Power	10W
System lumen	800lm
Power factor	0.8
Type	Trailing/ leading edge dimmable**
Electrical Class	Class II
Input Voltage	220V-240V, 50/60Hz
CCT	Select from 3000K (WW), 4300K (Cool White), 6500K (Day Light) with the switch dial
CRI	>80
Beam Angle	105°
Operating Temperature	25°C (-20°C < ta < 40°C)
Lifetime (L70)*	25,000 hours @ Ta=25C
IP rating	IP44 (front)/IP20
Insulation rating	IC-4
Mounting Type	Recessed
Housing colour	RAL9003
Accessory	Brush aluminium trim, click on to fitting
Cable	1.2m pre-wired AU flex & plug
Material	Diffuser: Polycarbonate (PC) Housing: Polybutylece Terephthalate (PBT)
Application	Residential, general lighting areas, corridors, retail

Essential SmartBright DN029B-2 Step Dim - Datasheet



Model	Essential SmartBright Downlight 3 (DN029B-3)
Type	LED8
Equivalent of	50W halogen
Power	10W
System lumen	800lm
Power factor	0.8
Type	Step dimming (100%-40%-10%)
Electrical Class	Class II
Input Voltage	220V-240V, 50/60Hz
CCT	3000K (WW) and 4000K (NW)
CRI	>80
Beam Angle	105°
Operating Temperature	25°C (-20°C < ta < 40°C)
Lifetime (L70)*	25,000 hours @ Ta=25C
IP rating	IP44 (front)/IP20
Insulation rating	IC-4
Mounting Type	Recessed
Housing colour	RAL9003
Cable	1.2m pre-wired AU flex & plug
Material	Diffuser: Polycarbonate (PC) Housing: Polybutylece Terephthalate (PBT)
Application	Residential, general lighting areas, corridors, retail

Essential SmartBright DN029B Dimensions



Essential SmartBright DN029B 12nc and Packaging

12NC	description	EAN1	EAN3
911401851397	DN029B-1 LED8/WW PSR-E D90 CAU	8710163314686	8710163314785
911401851497	DN029B-1 LED8/NW PSR-E D90 CAU	8710163314693	8710163314792
911401851597	DN029B-2 LED8/CCT PSR-E D90 CAU	8710163314709	8710163314808
911401851697	DN029B-3 LED8/WW SD D90 CAU	8710163314716	8710163314815
911401851797	DN029B-3 LED8/NW SD D90 CAU	8710163314723	8710163314822

