



Smart Halogen Downlight QBS020

QBS043 1x MAX50W-GU5.3 12V WH

QBS043 - 1 pc

Shop owners opening a new outlet or refurbishing their current installation and contractors looking for attractive propositions for their customers (small/non-chain retailers) now have the ideal solution for impactful, yet affordable accent lighting. Our Smart Halogen Downlight offers customers a choice of different shapes to suit different functions, and the professional finish lends the luminaire an air of contemporary sophistication. Thanks to its robust housing, the Smart Halogen Downlight is a long-lasting solution. Quality clips ensure ease of installation.

Product data

• General information

Product family code	QBS043 [QBS043]
Number of light sources	1 [1 pc]
Cap-base	GU5.3 [GU5.3]
Ingress protection code	IP20 [Finger-protected]
Color	WH [White]
Flammability mark	F [For mounting on normally flammable surfaces]

• Electrical

Maximum lamp power	MAX50 [Max. 50 W]
Input voltage	12 V [12 V]

• Product Data

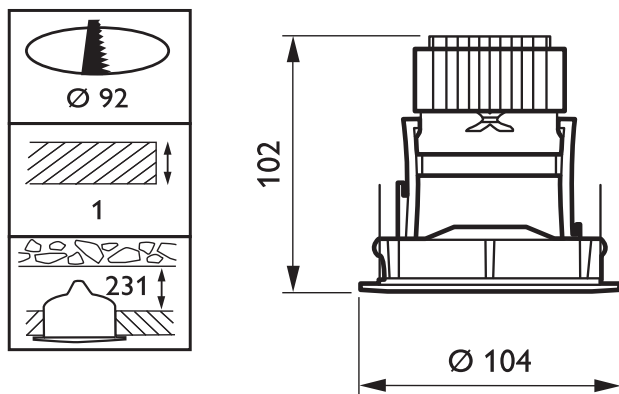
Order code	910403630290
------------	--------------

Full product code	910403630290
Full product name	QBS043 1x MAX50W-GU5.3 12V WH
Order product name	QBS043 1x MAX50W/12V-GU5.3 WH
Pieces per pack	1
Packs per outerbox	30
Bar code on pack - EAN1	6923828687762
Bar code on outerbox - EAN3	6923828699314
Logistic code(s) - 12NC	910403630290
Net weight per piece	2.200 kg



PHILIPS

Dimensional drawing



QBS043 1x MAX50W-GU5.3 12V WH



© 2014 Koninklijke Philips N.V. (Royal Philips)
All rights reserved.

Specifications are subject to change without notice. Trademarks are the property of Koninklijke Philips N.V. (Royal Philips) or their respective owners.

www.philips.com/lighting

2014, April 11
data subject to change