



PHILIPS

Professional Lighting

RoadFlair



Sleek and superior
Beyond anticipation

Fit-for-purpose design



Designed for major and city roads, Philips RoadFlair is a new and exciting product set to brighten your streets beyond imagination. Smartly-designed to bring cities the highest savings possible with best-in-class lumen per watt, this road lighting production comes at a competitive price bound to excite.

Philips RoadFlair brings energy efficiency, improves a city's sustainability drive and delivers significant cost reduction in urban environments. The right road luminaire coupled with the right lighting application will create the best environment for your municipality, benefiting local communities and boosting tourism and businesses.

Application

- **Roads**
- **Street**
- **Highways**
- **Parking**

Tool-less opening, low failure rate



Best in class LED Technology

Consistent performance and reliability guaranteed

New Functional design

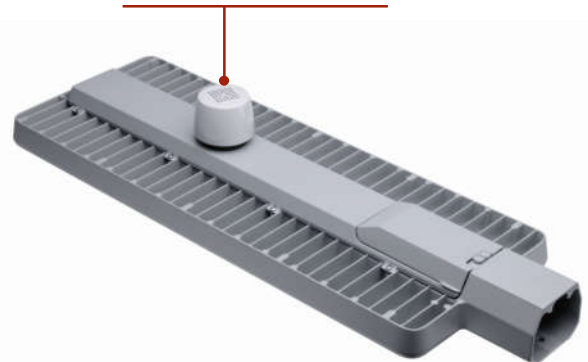
Designed to meet all the requirements of road and street lighting applications



Tool-less opening Tool-less access for Small and Medium housing gear compartment. Tool-less access for Large housing SPD compartment.

Control System Support

- Interact City platform
- 7pin NEMA Receptacle
- SR socket (Zhaga specification)
- Coded Mains (Aplight Gen2)



Benefits

- **High lumen efficacy**
140 to 160 lumen per watt – much higher than currently available solutions.
- **Unique functional design**
Sleek, light-weight and well-designed luminaire.
- **Control and dimming ready**
Supports CityTouch connect application, 7-Pin Nema socket and standard outdoor dimming protocols.
- **Value for money / most competitive product in its segment** Perfect for renovation, upgrading projects. Best-in-class LED lighting technology at an unmatched, competitive price.

interact



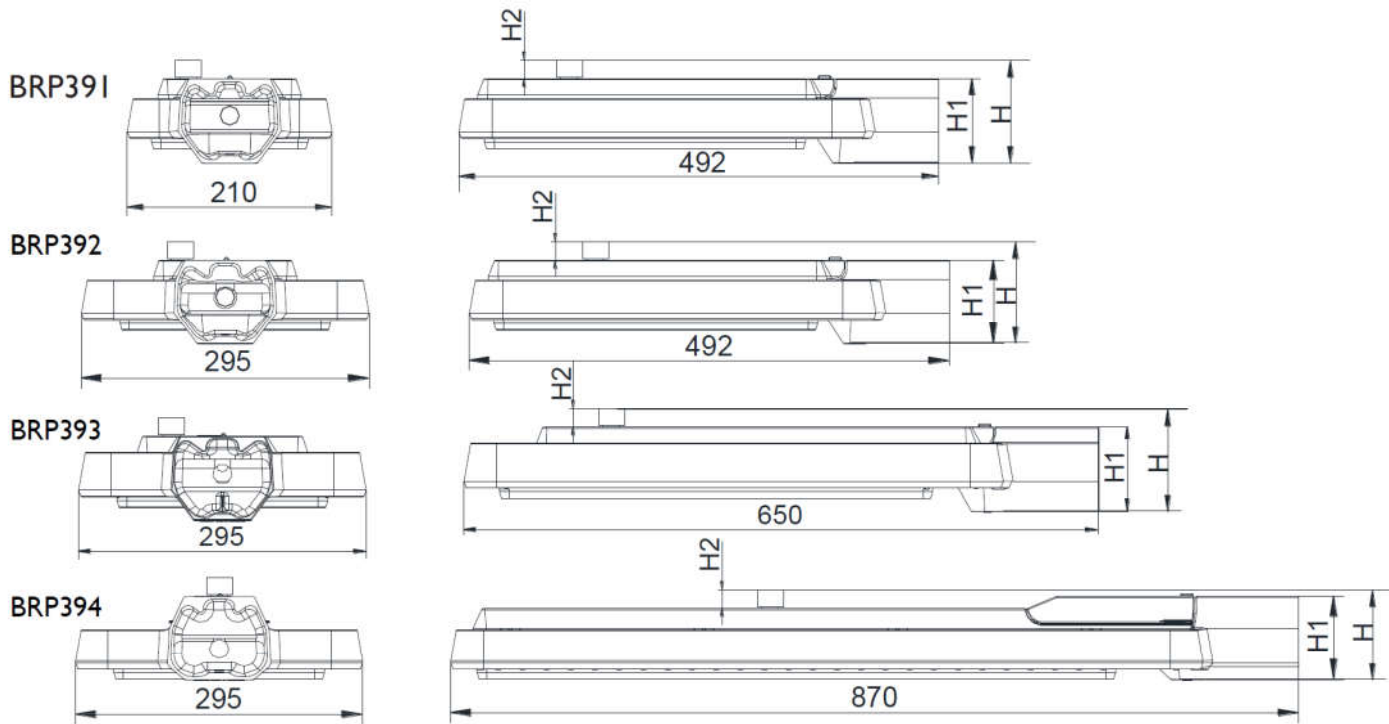
Take the next step

See how Philips RoadFlair can address your road lighting needs with Interact City. Contact your local Philips Sales Representative for more information or to schedule a personalized demonstration.



Dimensional & technical detail

Unit: mm



Type	Weight/kg	H1/mm	Wind force area/m ²	Standard version	NEMA socket + LLC	NEMA socket + short cap	SR socket + LLC	SR socket + short cap				
				L×W×H/mm	H2/mm	L×W×H/mm	H2/mm	L×W×H/mm	H2/mm	L×W×H/mm		
BRP391	≈5	86	0.1	492×210×86	70	492×210×156	46	492×210×132	33	492×210×119	16	492×210×102
BRP392	≈7	86	0.14	492×295×86	70	492×295×156	46	492×295×132	33	492×295×119	16	492×295×102
BRP393	≈8	86	0.17	651×295×86	70	651×295×156	46	651×295×132	33	651×295×119	16	651×295×102
BRP394	≈10	86	0.25	870×295×86	70	870×295×144	46	870×295×120	33	870×295×107	16	870×295×91

System Power Tolerance ± 10%

Driver Inrush Current (Dimming version)

1 pcs driver	2 pcs driver	Driver Description
108A/140μs	216A/140μs	Xitanium 75W 0.35-0.7A GL Prog sXt
108A/140μs	216A/140μs	Xitanium 150W 0.35-0.7A GL Prog sXt
46A/250μs	92A/250μs	Xi FP 75W 0.2-0.7A SNLDAE 230V S240 sXt
53A/300μs	106A/300μs	Xi FP 150W 0.2-0.7A SNLDAE 230V S240 sXt
46A/250μs	92A/250μs	Xi FP 75W 0.2-0.7A SNLCDAE 230V S240 sX
53A/300μs	106A/300μs	Xi FP 150W 0.2-0.7A SNLCDAE 230V S240 sX
65A/330μs	130A/330μs	Xi SR 75W 0.2-0.7A SNEMP 230V S240 sXt
65A/330μs	130A/330μs	Xi SR 150W 0.2-0.7A SNEMP 230V S240 sXt

Product data

General Characteristics

Type	BRP391/392/393/394
Lifetime*	100,000 hours (L70 at Ta 35C)
Optics	DM, DW1, DW2, DWV, DWP
Ingress Protection	IP66
Impact Resistance	IK08
SDCM	5

Light Technical Characteristics

Light source	LED
LED driver	Constant current or programmable driver options
System lumen output (lm)	Up to 45,000 lumen
Color rendering index	Minimum 70
Color Temperature	CW-5700K / NW-4000K / WW-3000K ± 200K

Electrical Characteristics

Power requirement	220-240V 50/60Hz
Power factor	> 0.95 (nominal power)
Drive current	100mA - 700mA

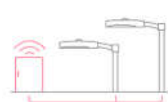
Environmental Characteristics

Installation	Side Entry: Standard version $\Phi 42-60$ mm pole ANZ version $\Phi 34-60$ mm pole
Windage area	BRP391 : 0.1m ² ; BRP392 : 0.14m ² ; BRP393 : 0.17m ² BRP394 : 0.25m ² < 12 m
Mounting height	Optimized for 8 to 14m
Working temperature	- 40°C < Ta < 50°C
Wind force	Up to 60m/s
Relative humidity	Up to 95%RH

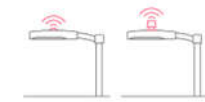
System Support

Interact City (CityTouch)

In addition, SR and NEMA receptacle system ready options



Cabinet-based group management



Interact Ready luminaires



Socket-based connector node

Mechanical

Housing Material	High-pressure die-cast aluminum
Gasket material	Heat resistant silicone rubber
Cover	Transparent weather resistant grade polycarbonate
Finishing	Gray Paint RAL7040

Product Information

Dimensions (LxWxH)	BRP391: 492 X 210 X 86 BRP392: 492 X 295 X 86 BRP393: 650 X 295 X 86 BRP394: 870 X 295 X 86
Weight	BRP391: 5kg BRP392: 7kg BRP393: 8kg BRP394: 10kg
Certifications	CB IEC 60598, CQC, TS1158, PSE, CE
Classifications	Class I & II (Class II for BRP391,2,3)
Surge protection	10KV/15KV
Control Options	Standalone dimming program, Interact City (CityTouch), Amplight compatible
Maintenance	Tool-less opening of gear compartment for BRP391 and BRP392 Tool-less opening of SPD compartment for BRP394

Type	BRP391 LED100/NW 70W 220-240V DM PSR BRP391 LED105/NW 75W 220-240V DM PSR BRP391 LED112/NW 80W 220-240V DM PSR BRP391 LED87/NW 63W 220-240V DM PSR BRP391 LED93/NW 67W 220-240V DM PSR BRP392 LED124/NW 88W 220-240V DM PSR BRP392 LED136/NW 96W 220-240V DM PSR BRP392 LED150/NW 104W 220-240V DM PSR BRP392 LED161/NW 113W 220-240V DM PSR BRP392 LED174/NW 121W 220-240V DM PSR BRP392 LED186/NW 130W 220-240V DM PSR BRP392 LED200/NW 138W 220-240V DM PSR BRP392 LED224/NW 158W 220-240V DM PSR BRP393 LED236/NW 166W 220-240V DM PSR BRP393 LED248/NW 174W 220-240V DM PSR BRP393 LED261/NW 183W 220-240V DM PSR BRP393 LED273/NW 192W 220-240V DM PSR BRP393 LED286/NW 200W 220-240V DM PSR BRP393 LED298/NW 208W 220-240V DM PSR BRP393 LED311/NW 217W 220-240V DM PSR BRP393 LED323/NW 225W 220-240V DM PSR BRP394 LED336/NW 234W 220-240V DM PSR BRP394 LED348/NW 242W 220-240V DM PSR BRP394 LED360/NW 251W 220-240V DM PSR BRP394 LED373/NW 259W 220-240V DM PSR BRP394 LED385/NW 268W 220-240V DM PSR BRP394 LED398/NW 276W 220-240V DM PSR BRP394 LED412/NW 285W 220-240V DM PSR BRP394 LED437/NW 308W 220-240V DM PSR BRP394 LED449/NW 316W 220-240V DM PSR More options available on request
------	--

© 2019 Signify Holding. All rights reserved. The information provided herein is subject to change, without notice. Signify does not give any representation or warranty as to the accuracy or completeness of the information included herein and shall not be liable for any action in reliance thereon. The information presented in this document is not intended as any commercial offer and does not form part of any quotation or contract, unless otherwise agreed by Signify

Philips and the Philips Shield Emblem are registered trademarks of Koninklijke Philips N.V. All other trademarks are owned by Signify Holding or their respective owners

