

**PHILIPS**

# PHILIPS

sense **and** simplicity

GreenPerform Waterproof  
*WT160C/ 161C*

Professional Lighting Solution  
2013 Feb



# PHILIPS Target application

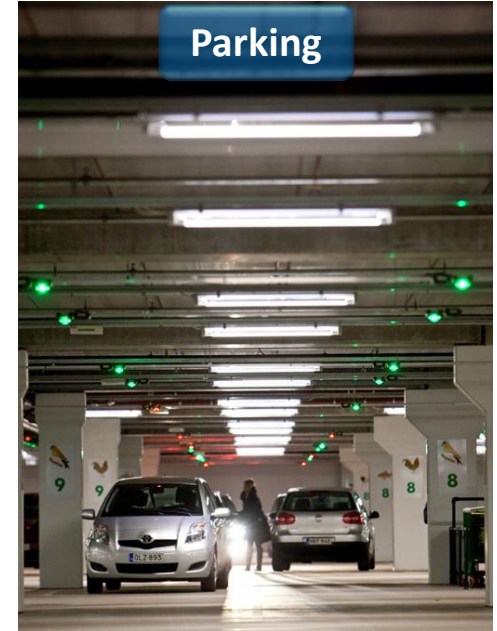
Industry



F&B



Parking



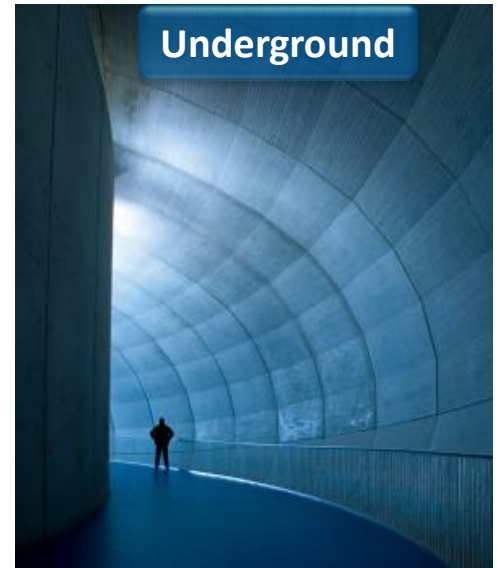
Semi outdoor



Under canopy



Underground



## GreenPerform Waterproof WT160C/ 161C

New generation LED Waterproof with leading efficacy



>50%  
energy  
saving



### Product feature :

- Up to **95lm/W** system efficacy, save over 50% energy by replacing T8 waterproof luminaires
- Extrusion body with **UV resistant** PC material fit tough environment application
- **50000hr** lifetime & **IP65** & **IK08** protection ensure ultimate reliability and endurance
- Comfortable light with high color uniformity **SDCM<3.5**, **CRI>80**
- Compact design & **IP68** waterproof quick connector ease the installation

## Product family



### WT160C Standalone

Sys Lumen	4800/ 3800/ 1900lm/1000lm
Watt	55/ 40/ 20/ 12W
Color	4000K/ 6500K
CRI	>80
Length	1500/ 1200/ 600mm
Optical	Diffused
Installation	Surface/ Wall
Accessory	Mounting bracket IP68 connector
Volt	220-240V/50-60Hz



### WT161C Trunkable

Sys Lumen	4800/ 3800/ 1900lm/1000lm
Watt	55/ 40/ 20/ 12W
Color	4000K/ 6500K
CRI	>80
Length	1500/ 1200/ 600mm
Optical	Diffused
Installation	Surface/ Wall
Accessory	Mounting bracket IP68 connector Connect cable
Volt	220-240V/50-60Hz

# Product details



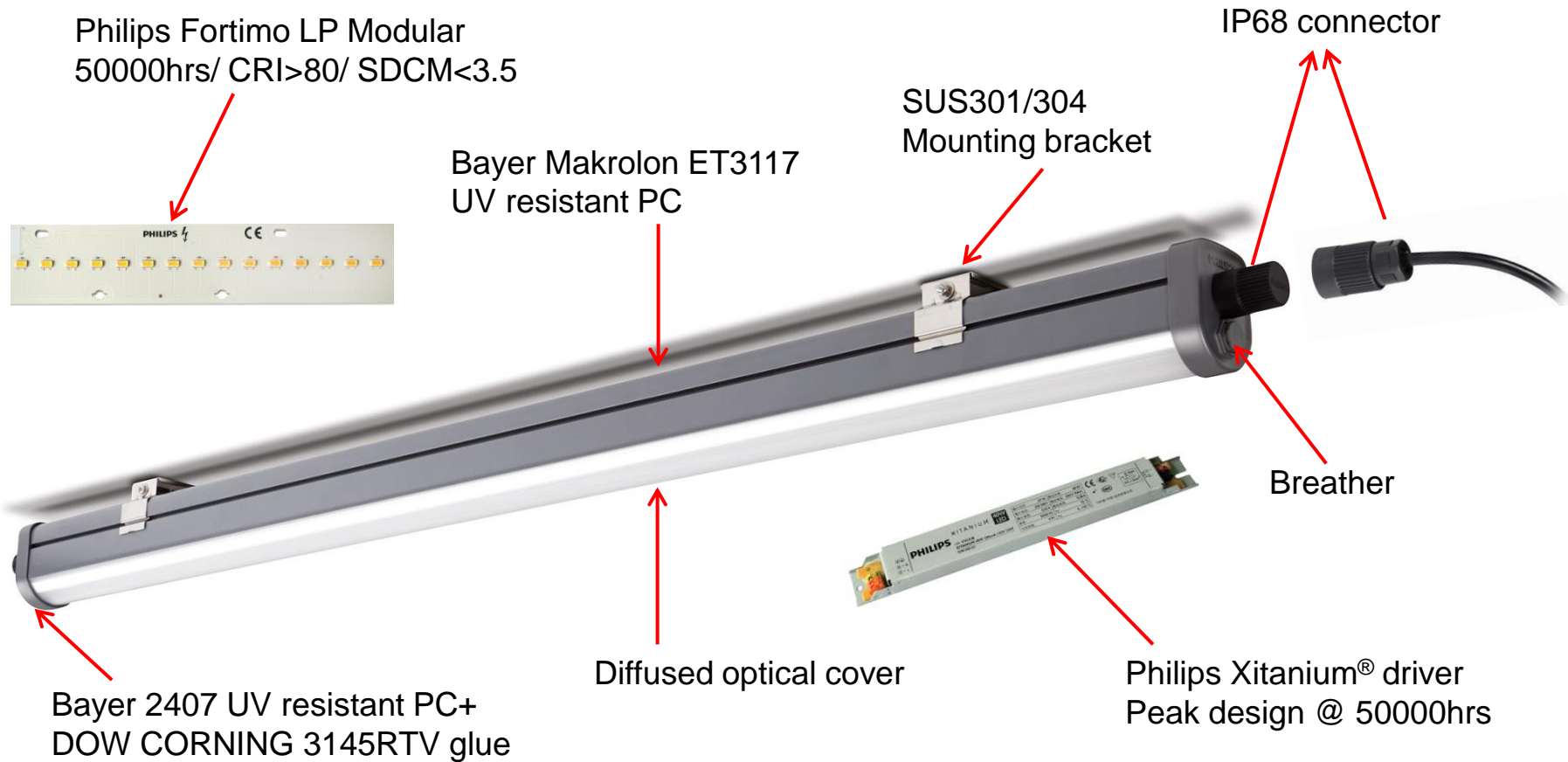
WT160C  
Standalone



WT161C  
Trunkable



# PHILIPS Product details



GreenPerform Waterproof is built with high reliability components designed for extreme long life and extreme tough environment.

**PHILIPS**

# What makes GP Waterproof outstanding

A breakthrough LED luminaire—something you have to know

Reliable &  
safe



EMC

Ease of  
installation

As a professional solution expert, we know what's the better & advanced lighting solutions



# PHILIPS Reliable & Safe



- Conv lumi adopts two injection parts design
- Sealing is achieved by sealing rubber & fixing brackets
- Leaking risk is high after frequent maintain and improper installation

- WT160 adopts one extrusion PC housing design, with much lower leaking risks
- Seal for life, no leaking risk caused by maintain
- Bayer UV resistant PC material improves the reliability in extreme tough environment



**✗** Most LED tube cannot meet EMC requirement in waterproof closed luminaires

**✓** Philips GP LED Waterproof in compliance with IEC standard, fully meet EMC requirement

**PHILIPS**  
Report No: S2011071504

## Test Report

Fail

Sample Name: TCW097

Model/Type: TCW097 1x18W I  
TCW097 2x36W I  
TCW097 2xTL-D36W I BK  
TCW097 1xTL-D18W I BK  
TCW097 2xTL-D18W IC  
TCW097 2xTL-D36W IC

Test Name: EMC test

Customer: Philips Lighting Luminaires (Shanghai) Co., Ltd. RDC

Philips Lighting Luminaires (Shanghai) Co., Ltd. Laboratory  
Address: No.2688, Huyl Rd, Jiading District, Shanghai, PRC  
Tel: 021-59102862 Fax: 021-59101344



	Ref. Certif. No. <b>SG-LE-00520</b>
IEC SYSTEM FOR MUTUAL RECOGNITION OF TEST CERTIFICATES FOR ELECTRICAL EQUIPMENT (IECEE) CB SCHEME	SYSTEME CEI D'ACCEPTATION MUTUELLE DE CERTIFICATS D'ESSAIS DES EQUIPEMENTS ELECTRIQUES (IECEE) METHODE OC
<b>CB TEST CERTIFICATE</b> <b>CERTIFICAT D'ESSAI OC</b>	
Product Produit Name and address of the applicant Nom et adresse du demandeur  Name and address of the manufacturer Nom et adresse du fabricant  Name and address of the factory Nom et adresse de l'usine  Ratings and principal characteristics Valeurs nominales et caractéristiques principales	Fixed general purpose luminaires Généralperform Waterproof Philips (China) Investment Co., Ltd 1602-1605, 218 Tian Mu Xi Road, 200070 Shanghai, PEOPLE'S REPUBLIC OF CHINA Philips (China) Investment Co., Ltd. 1602-1605, 218 Tian Mu Xi Rd., 200070 Shanghai, PEOPLE'S REPUBLIC OF CHINA Philips Luminaires(Chengsu) CO., LTD., Unit 5, Street 58 Tian Qin, HS-Bochawajiang, 611731 Chengsu, Sichuan Province, PEOPLE'S REPUBLIC OF CHINA  Rated voltage: 220-240V~ Rated frequency: 50/60Hz  WT180CLEED10L60, WT181CLEED19L60, 120W1x220V 6W, WT180CLEED0L60, WT181CLEED0L60, 20W1x440V 6W, WT180CLEED20L120, WT181CLEED20L120, 20W2x220V 6W, WT180CLEED40L120, WT181CLEED40L120, 40W2x440V 6W, WT180CLEED0L150, WT181CLEED0L150, 50W1x220V 6W Max 24 pcs interconnected for WT181CLEED19L60; WT181CLEED20L60, WT181CLEED20L120, WT181CLEED40L120; Max 12 pcs interconnected for WT181CLEED0L150 Protection Class: I Degree of protection: IP65 Philips  Trade mark (if any) Marque de fabrique (si elle existe) Model/type Ref. Ref. de type  WT180CLEED10L60, WT180CLEED20L60, WT180CLEED20L120, WT180CLEED40L120, WT180CLEED50L150, WT181CLEED10L60; WT181CLEED0L60, WT181CLEED20L120, WT181CLEED40L120, WT181CLEED50L150 IEC 62493 2009  IEC 60958-1:2008 IEC 60958-2-1A1:1987 IEC 60471:2006  TUV SUD PSB Pte Ltd 693-1206629-000  This CB Test Certificate is issued by the National Certification Body Ce Certificat d'essai OC est établi par l'Organisme National de Certification  Date: 2013-01-08 CBS 13 01 74448 006  (Bingwen Zhang)  TUV SUD PSB Pte Ltd - 1 Science Park Drive - Singapore 118221  

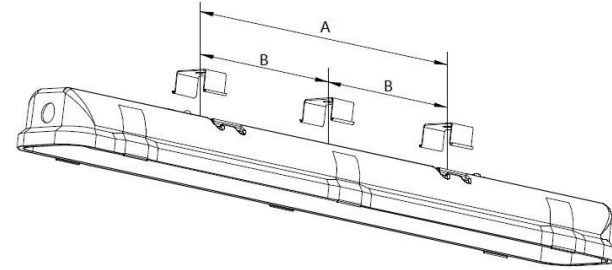
Pass



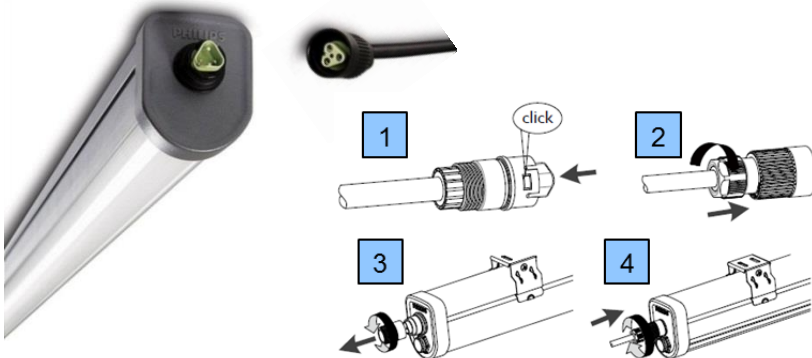
# PHILIPS Ease of installation



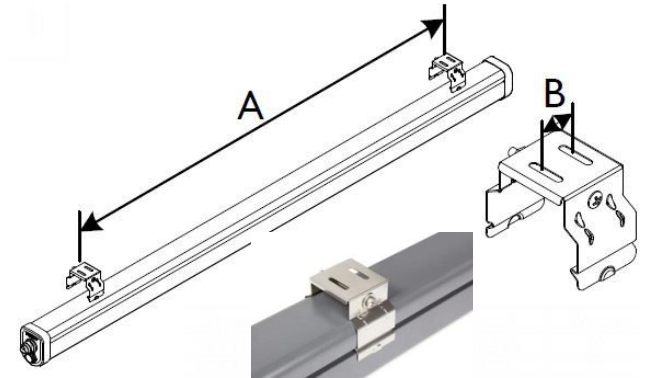
LED tube installation is very complicated, rewiring is always needed



Conv luminaire mounting position is fixed in the housing, flexibility of installation is low

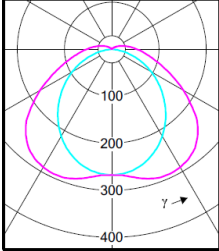


Philips GP LED waterproof can be easily connected by a simple IP68 connector



Philips GP LED Waterproof can choose any position in the housing for installation

# PHILIPS Product specs

WT160C/ WT161C					
Product type	Standalone/ Trunkable				
Lumen output	4800lm	3800lm	1900lm	1900lm	1000lm
Watt	55W	40W	20W	20W	12W
Length	5ft	4ft		2ft	
Weight	1.7kg	1.3kg		0.7kg	
Efficacy	<b>95lm/W</b>				
CCT	6500K / 4000K				
CRI	<b>&gt;80</b>				
SDCM	<b>&lt;3.5 SDCM</b>				
Photometrics					
LED	<b>Philips Fortimo LP LED</b>				
Driver	<b>Philips Xitanium<sup>®</sup> Driver</b>				
Material	Housing: <b>Bayer ET3117 PC</b>				
	End cap: <b>Bayer 2407 PC</b>				
	Sealing glue: <b>DOW CORNING 3145RTV</b>				
	Mounting bracket: <b>SUS301/304</b> stainless steel				
	Conection: <b>IP68</b> connector				
Protection	<b>IP65/ IK08</b>				
Class	Class I				
Life	<b>50000 hours</b>				
Voltage	220-240V、 50/60 Hz				
Approbation	CCC/ CB/ EMC				



## Description

**WT160C** **LED50** / **NW** **L1500**

1 2 3 4

### 1 Product type

**160**: standalone

**161**: trunkable

### 2 System output/ wattage

**LED50**: 4800lm/ 55W

**LED40**: 3800lm/ 40W

**LED20**: 1900lm/ 20W

**LED10**: 1000lm/ 12W

### 3 Color

**NW**: 4000K

**CW**: 6500K

### 4 length

**L1500**: 5ft

**L1200**: 4ft

**L600**: 2ft

# PHILIPS Ordering information

Standalone	12NC	Lumen	CCT	Length	Watt
WT160C LED50 CW L1500	911401513511	4800lm	6500K	5ft	55W
WT160C LED50 NW L1500	911401513411	4800lm	4000K	5ft	55W
WT160C LED40 CW L1200	911401513111	3800lm	6500K	4ft	40W
WT160C LED40 NW L1200	911401513011	3800lm	4000K	4ft	40W
WT160C LED20 CW L1200	911401512811	1900lm	6500K	4ft	40W
WT160C LED20 NW L1200	911401512611	1900lm	4000K	4ft	40W
WT160C LED20 CW L600	911401512311	1900lm	6500K	2ft	20W
WT160C LED20 NW L600	911401512211	1900lm	4000K	2ft	20W
WT160C LED10 CW L600	911401511911	1000lm	6500K	2ft	12W
WT160C LED10 NW L600	911401511811	1000lm	4000K	2ft	12W
Trunkable	12NC	Lumen	CCT	Length	Watt
WT161C LED50 CW L1500	911401513711	4800lm	6500K	5ft	55W
WT161C LED50 NW L1500	911401513611	4800lm	4000K	5ft	55W
WT161C LED40 CW L1200	911401513311	3800lm	6500K	4ft	40W
WT161C LED40 NW L1200	911401513211	3800lm	4000K	4ft	40W
WT161C LED20 CW L1200	911401512911	1900lm	6500K	4ft	40W
WT161C LED20 NW L1200	911401512711	1900lm	4000K	4ft	40W
WT161C LED20 CW L600	911401512511	1900lm	6500K	2ft	20W
WT161C LED20 NW L600	911401512411	1900lm	4000K	2ft	20W
WT161C LED10 CW L600	911401512111	1000lm	6500K	2ft	12W
WT161C LED10 NW L600	911401512011	1000lm	4000K	2ft	12W
Accessory	12NC	说明			
WT161Z TB	911401527511	Connecting cable			